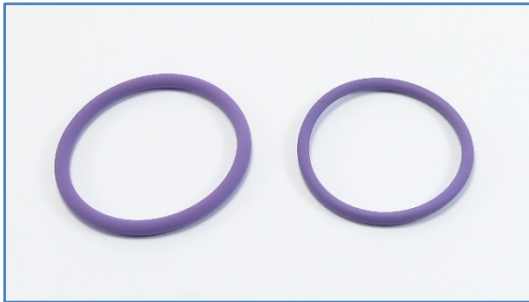


## Unit Injector ( EUI-PDE-UIS ) Repair Kits

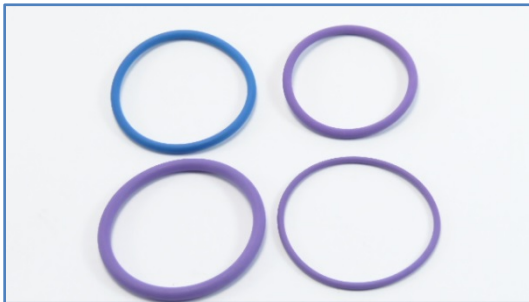


### **A1-23162** Repair Kit Volvo EUI

Use = Volvo 2 pin – 4 Pin Delphi Injectors

OEM = 7200-0016 + 7200-0017

OEM = F 00V X99 992 ( Bosch 0 414 702\*\*\* )



### **A1-23144** Repair Kit Volvo EUI

Use = Volvo Delphi EUI / Yellow side Actuator

7200-0016 + 7200-0017 + 7200-0014 + 7200-0015

OEM = Volvo 276948

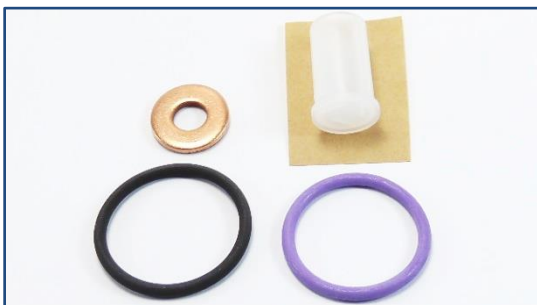


### **A1-23717** Repair Kit DAF Euro 5

Use = Injector Daf Euro 5 Delphi Unit Pump

OEM Ref's Included = 7207-0100 / 7200-0027

7200-0070 / 7200-0071 / 7208-0247



### **A1-23716** Repair Kit DAF Smart Euro 5

Use = Injector Daf Euro 5 Delphi Smart Injector

OEM Ref's Included = 7200-0118 / 7200-0119

Injectors's Used :

BEBJ1A00001

BEBJ1A00101

BEBJ1A00201

BEBJ1A00202

BEBJ1B00001

## Unit Injector ( EUI-PDE-UIS ) Repair Kits



### **A1-23716A** Repair Kit DAF Smart Euro5

Euro6

Use = Injector Daf Euro 5 Delphi Smart Injector

OEM O'ring Ref's Included :

7200-0118 + 7200-0119 + 7200-0271

Injectors Used : BEBJ1A00001 / BEBJ1A00101

BEBJ1A00201 / BEBJ1A00202

BEBJ1B00001

BEBJ1A05001 / BEBJ1A05002



### **7206-0460** Actuator Injector

Use = Daf Euro 5

Delphi Smart Injectors

**DELPHI ONLY**



### **7206-0440** Actuator Pump

Use = Daf Euro 5 Unit Pump

**DELPHI**



### **PRK206-0440** Actuator w/o Electrical Coil

Use = Daf Euro 5 Unit Pump

**Kit without Electrical Coil**

## Unit Injector ( EUI-PDE-UIS ) Repair Kits



**PRK135-486** Valve Kit Actuator Delphi EUI

Use = Volvo FH Actuator

OEM = 7135-486 ( Valve Used Inside )



**A2-23294** Repair Kit Volvo FH

Use = Volvo FH

OEM = **7135-488**



**A2-23476** Repair Kit Volvo FH

Use = Volvo FH Actuator

OEM = **7135-476**

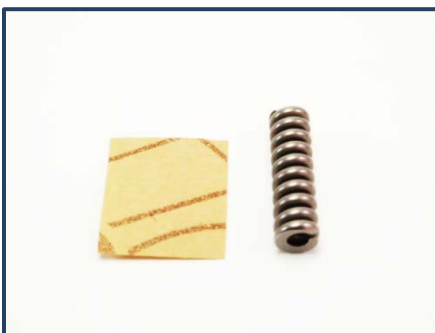


**P2-03059** Inj. Sapcer Kit Type Delphi EUI

Use = Volvo FH

Using Actuator 7135-486

OEM = **7135-487**



**P2-02032** Inj. Pressure Spring EUI

Use = Volvo / Delphi 2 pin Injectors

OEM = **7169-539**



## Unit Injector ( EUI-PDE-UIS ) Repair Kits



**P2-02039** Inj. Pressure Spring EUI

Use = Volvo / Delphi 4 pin Injectors

OEM = **7207-0070**



**PRK206-0379A**

Actuator Volvo 2 Pin Injectors  
Without Electrical Coil



**PRK206-0379**

Actuator Volvo 2 Pin Injectors  
With Electrical Coil



**7206-0379** Actuator Volvo 2 Pin Injectors

**DELPHI**

## Unit Injector ( EUI-PDE-UIS ) Repair Kits



**7135-588** Actuator Volvo 4 Pin Injectors

**DELPHI GENUINE**



**7207-0299** Piston Guide  
Delphi Smart Injector  
Daf XF\_CF Smart Injector & Similar

**DELPHI ONLY**



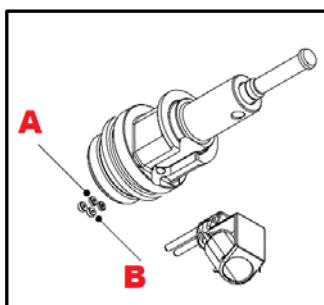
**7204-0983** Header Assy.  
Use = Volvo **4 Pin** Injectors

**DELPHI ONLY**



**7204-0529** Header Assy.  
Use = Volvo **2 Pin** Injectors

**DELPHI ONLY**



**A4-15579** Backing O'Ring  
Use = Volvo **2 Pin – 4 Pin** Injectors

**Oem No : 7204 -0375**

**Figure : " A "**

## Unit Injector ( EUI-PDE-UIS ) Repair Kits



**ED4069** Electrical Connector  
Use = Volvo **4 Pin** Injectors

Including 20 cm Cable ( mounted )



**ED4070** Electrical Connector  
Use = Volvo **2 Pin** Injectors

Including 20 cm Cable ( mounted )



**A1-23367** Valve

Unit injector Valve

Dia's . 6.995 to 7.040 mm

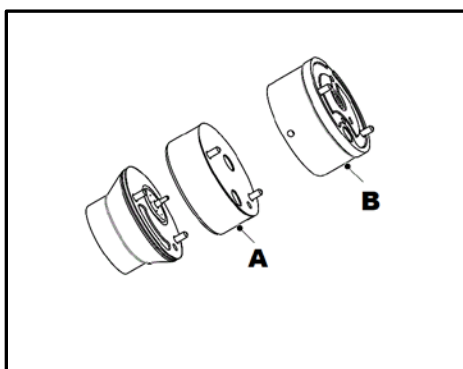


**A4-15299** O'Ring Set

Oem No : **7200-0031**

Use = Volvo **2 Pin** Injectors

John Deere Unit Injector BEBE4B13001



**PRK135-588** Actuator Upper Body Kit

Oem No : **7135-588**

Use = Volvo **4 Pin** Injectors

**Kit Contains Figure "A" + "B"**

## Unit Injector ( EUI-PDE-UIS ) Repair Kits



### **A1-23203** Repair Kit EUI Iveco

Use = Iveco Stralis, Eurotracker, Eurotech

Unit Inj. Ref's = 0 414 700 002/ 003

OEM = **F 00V X99 996** Iveco ref : 500350189



### **A1-23206** Repair Kit EUI Scania

Use = Scania 1398810 - 1422564

Unit Inj. Ref's = 0 414 701 005 / 007 / 008

OEM = **F 00V X99 999**



### **A1-23202** Repair Kit EUI Scania

Use = Scania 1440576 – New Holland 500379769

Unit Inj. Ref's = 0 414 701 006 / 013

OEM = **F 00V X99 995**



### **A1-23205** Repair Kit EUI Scania

Use = Scania 1731209

OEM = **F 00H N37 928**



### **A1-23471** Repair Kit Scania G Series

Use = Scania G series trucks

OEM = **F 00H N37 927 + 928 + F 00V X99 999**

## Unit Injector ( EUI-PDE-UIS ) Repair Kits



### **A1-23210** Repair Kit Scania EUI

Use = Injector Bosch 0 414 701\*\*\*

OEM = **F 00H N37 926 + N37 927 + F 00V X99 999**



### **A2-23282** Repair Kit Volvo FH

Use = Volvo FH Body  
0 414 701 004 / 0 414 701 055  
0 414 702 002 / 0 414 702 017

OEM = **F 00V X99 998**



### **A2-23431** Repair Kit EUI

Use = Iveco Stralis Euro 5 = 0 414 703 008 - 009  
Iveco EuroTracker = 0 414 703 004

OEM = **F 00H 450 001**



### **A2-24032** Repair Kit EUI

Use = Iveco Stralis 430-480-530 = 0 414 701 013  
Iveco EuroCargo 280-330-350-400 = 0414701 006

OEM = F 00H N37 928 + F 00V X99 998



### **A2-23217** Repair Kit EUI / Universal

Use = Volvo B12 – FH 12  
Use = Iveco Stralis, EuroCargo / Scania

OEM = F 00H N37 928 + F 00V X99 998 +  
F 00V X99 996



## Unit Injector ( EUI-PDE-UIS ) Repair Kits



**A2-23213** Repair Kit EUI / Universal

Use = Iveco Stralis, EuroCargo , EuroTech

OEM = F 00H N37 928 + F 00V X99 996



**A1-23218** Spring & Pin Kit

Bosch PDE 90 / 100

Oem No : F 00H N37 926



**A1-23433** Spring & Pin Kit

Bosch PDE 100

Use = 0414703\*\*\*

Oem No : F 00H 450 008

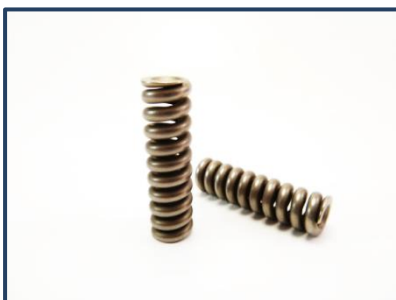


**P2-03046** Inj. Intermediate Plate EUI

Use = Scania / 1774409

0 414 700 002 ... / 0 414 701 004 .....

OEM = F 018 B06 804 / F 00Z Z20 003



**P2-02027** Inj. Pressure Spring Bosch EUI

Use = Iveco / 0 414 700 008 & Similar Injectors

OEM = 2 434 614 040

## Unit Injector ( EUI-PDE-UIS ) Repair Kits



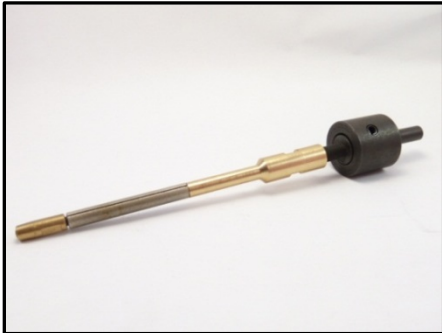
**P2-23028/1** Injector Spacer PDE90 / 100

Use = 0414701\*\* / 702\*\* / 703 \*\*\*

Oem No's : F 00Z 220 003

F 00H N35 703

Dia : 17.8 x 7 mm



**A1-23365** Reamer for Valve Hole

Unit pump valve holereamer

With drill use

Longlife durable material



**A1-23430** Reamer for Valve Seat

Unit pump valve seat reamer

With hand Use

Longlife durable material



**A1-23420** Piston & Sphere Set

Use : 0414701\*\*\* Bosch Injectors

Oem No : F 00V X99 886



**A1-23419** Piston

Use : IVECO Stralis - Trakker

Oem No : F 00H N36 046



## Unit Injector ( EUI-PDE-UIS ) Repair Kits



**A1-23422** Piston & Sphere

Use : 0414701005 /\*\*\*

Oem No : **F 00V X99 994**



**A1-23421** Piston & Sphere

Volvo

Use : 0414702\*\*\*/ Bosch Unit Injectors

Oem No : **F 00V X99 887**



**A1-23391** Plug PDE 90 / 100

**Thickness** : 14,56 – 15,10 mm

Available as sets with various Dia's



**OTO PERK A.S. Brands**